

\$9 each
+ tax

2002

“FOR SALE” and “OPEN HOUSE” SIGNS

The Master Association will permit professionally lettered “For Sale” and/or “Open House” signs that meet the following restrictions:

- 1) For each Veranda unit, Villa, and Single Family home, one (1) “For Sale” sign is permitted, subject to the following specifications:
 - a) The sign shall be six (6) inches high and twenty-four (24) inches wide, set between 4"x 4" posts eighteen (18) inches high above ground level. (For Verandas with space limitations, the sign may be mounted on a single center post with overall height not more than eighteen (18) inches above ground level).
 - b) The sign shall have green lettering on a cream background. The posts shall be painted matte dark green.
 - c) The sign shall be located on the street-side lawn at least ten (10) feet from the street pavement. The sign for a Veranda unit shall be located in the median adjacent to that unit's garage or, if no median (e.g., Bldg. 9 & 16), in the lawn across from the unit's garage.
- 2) For Terrace and Heathermoor Condominiums, a properly constructed "chain sign" with the heading "Units For Sale" will be installed on the street side of the building; beneath the heading are attached small signs with unit number and phone number for the units which are for sale. Such chain signs must meet the following specifications:
 - a) The heading portion of the chain sign shall be six (6) inches high and twenty-four (24) inches wide, set between 4"x 4" posts. The attached signs shall be four (4) inches high and eighteen (18) inches wide.
 - b) The sign shall have green lettering on a cream background, with posts painted matte dark green.
 - c) The overall height of the chain sign shall be five (5) feet above ground level.
 - d) The sign shall be located at least twenty-five (25) feet from the street pavement.

Construction and installation of the basic chain sign will be at the expense of the Master Association; each attached small sign and related hardware shall be provided by the owner/agent of the unit offered for sale.

- 3) One approved "Open House" sign may be placed in the front (street side) of the property on the day of the Open House, with notification of address provided to the gatehouse. The "Open House" sign must include the agent's name in small print, for identification purposes. For Veranda, Terrace, and Heathermoor Condos, the "Open House" sign may include the unit number. No directional signs are permitted. The

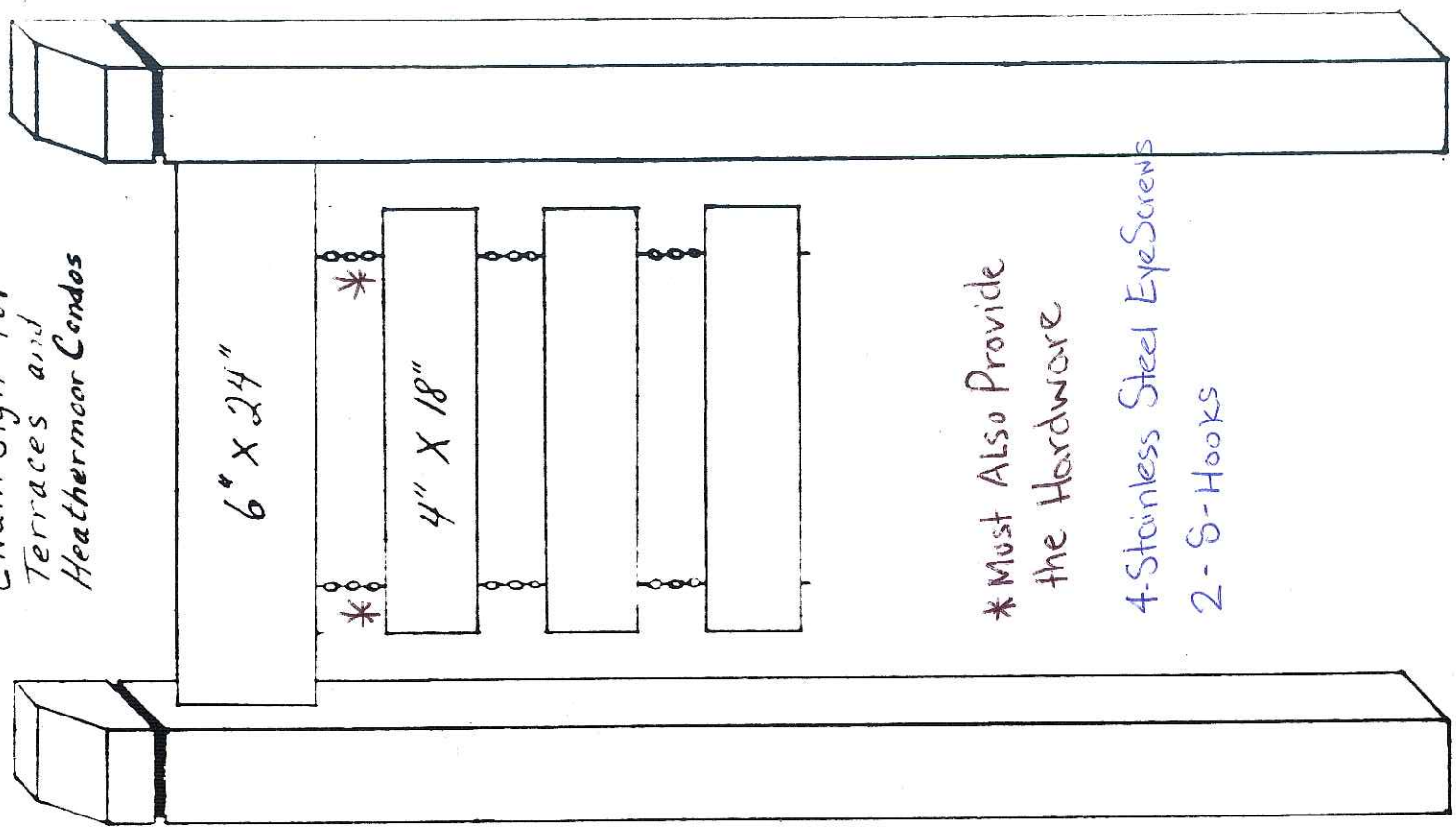
"Open House" sign must be removed as soon as the Open House hours are over. Any "Open House" sign not removed as required is subject to confiscation by management.

"Open House" signs are standardized (green lettering on white background) and can be purchased through the Highland Woods Administration Office.

- 4) Signs shall be placed in an upright vertical position and maintained in good condition. No banners, flags, balloons, or any other eye-catching materials or objects may be displayed to embellish the sign permitted by the Master Association. No signs of any kind are permitted on the golf course side of any property, and No "Take One" boxes are permitted.

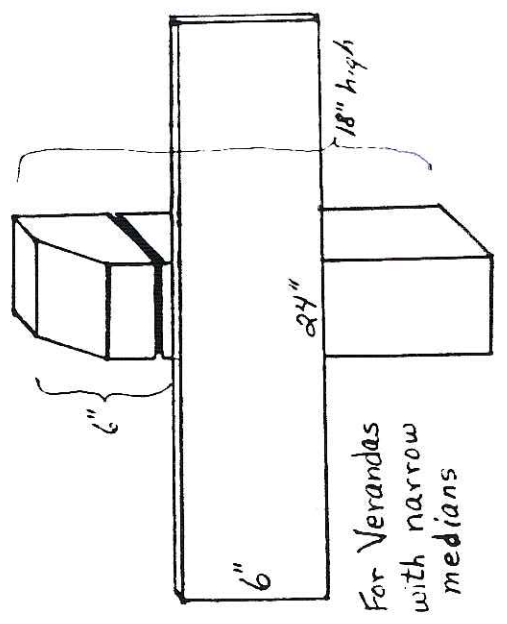
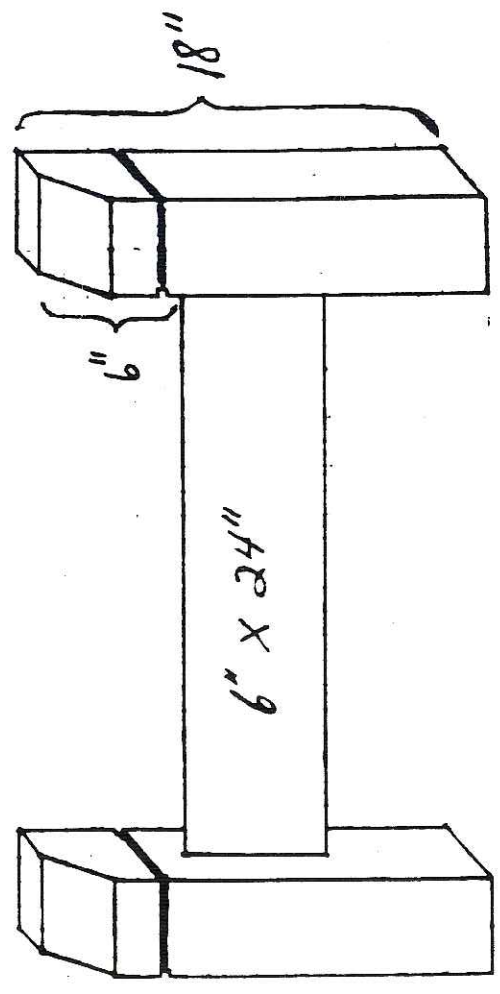
Detailed specifications for approved sign construction, including drawings, are available in the Clubhouse Administration Office, along with the name of a recommended sign company that has these specifications on file.

Chain Sign for
Terraces and
Heathermoor Condos

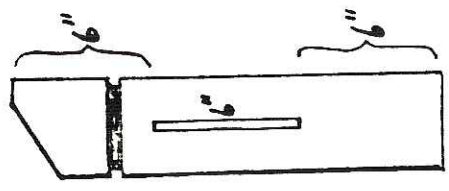


* Must Also Provide
the Hardware
4-Stainless Steel Eye Screws
2-S-Hooks

Sign for Verandas, Villas,
and Single Family Homes

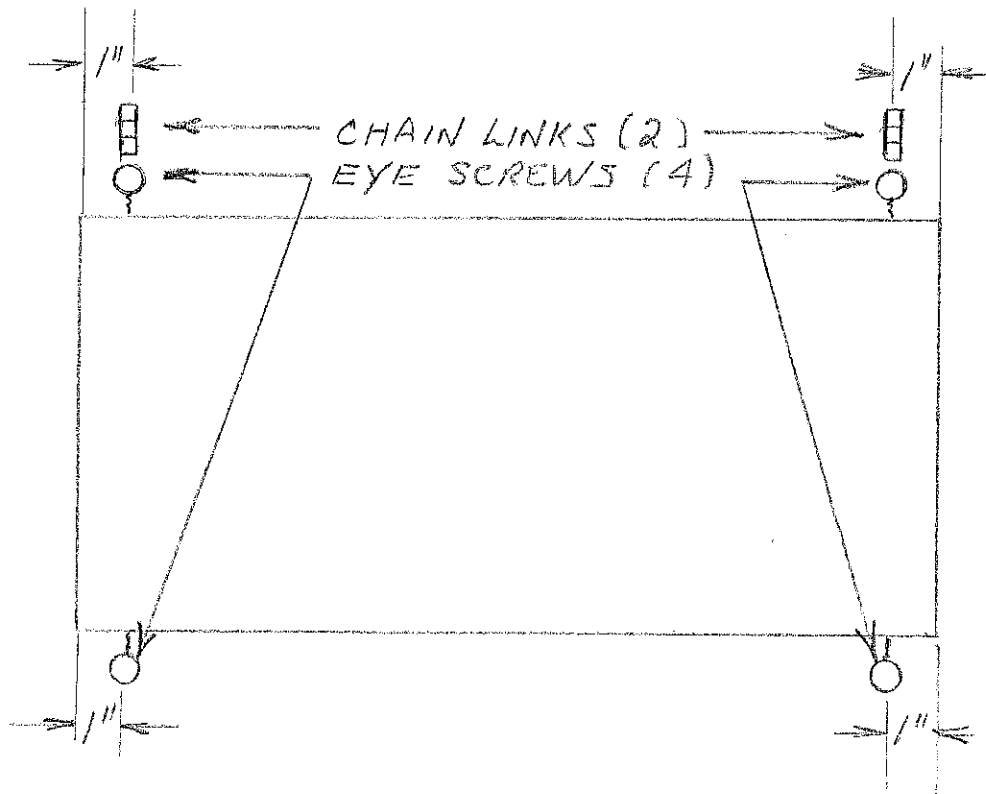


For Verandas
with narrow
medians



Side View of Post

"CONDOS"
REQUIRED HARDWARE FOR
SIGNS.



AVAILABLE AT "ACE" OR
"HOME DEPOT"

NOTE: CHAIN LINKS ARE RECLOSEABLE TYPE.